

Wanco® Arrow Board Trailers

State of Arizona - Contract CTR62309 - Category 11 - Towable Equipment

Standard Features

Trailer: Welded Structural Steel Frame, Ballasted Trailer Deck, Axle Assembly 2,000 lb. with Double-Eye Leaf Springs, Four Adjustable Drop Stabilizer Legs, Round Polyethylene Full Wheel Fenders with LED Lights Bolted to the Trailer Frame, Hand Crank Winch Raises Sign and Solar Panel

Standard Color: Powder-Coated Safety Orange

Drawbar: Removable, 2" Ball Hitch, Swivel Footpad Tongue Jack, Flat-four Trailer Lights Plug

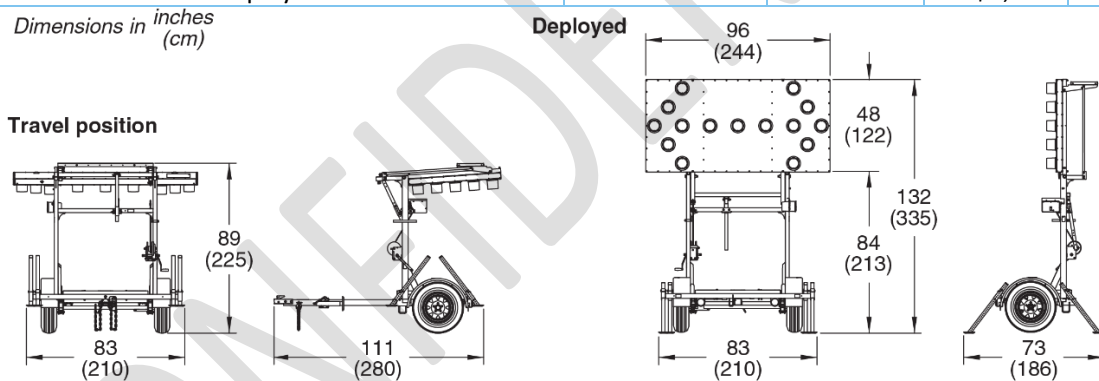
Board Assembly: 48" x 96" Aluminum Sign, PAR 46 Amber LED Lamps, Visors to Enhance Visibility, Separate Weather Resistant Rotary Knob Controller with Solar Charger and LVD

Batteries: Two 12V Sealed Lead Acid Batteries (36 Ah Total Capacity)

Solar: High-Efficiency Photovoltaic Solar Module, 50/55W Solar Panel Mounted Above Cabinet

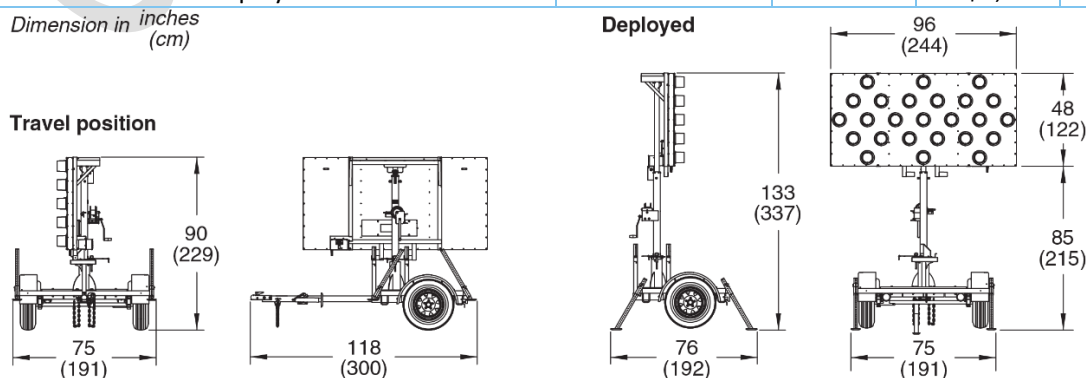
Base Models: Folding Arrow Board Trailer

Models	Model Code	MSRP	Part Number
15-Light Arrow Board with 7 Display Patterns	WTSP55-LSA	\$5,930	WTSP55-LSA
25-Light Arrow Board with 12 Display Patterns	WTSP55-LSAC	\$6,120	WTSP55-LSAC



Base Models: Vertical Arrow Board Trailer

Models	Model Code	MSRP	Part Number
15-Light Arrow Board with 7 Display Patterns	WTSV-LSA	\$6,130	213313-C1
25-Light Arrow Board with 12 Display Patterns	WTSV-LSAC	\$6,320	213314-C1



All Prices are FOB Wanco Factory. Confidential Information.

Do not disclose to parties outside of your organization. Pricing effective 12/03/2022.



2023 General Pricing

Arrow Board Trailer Options

Options	Add	MSRP	Part Number
Trailer			
Rear Tow Plate (Allows Tandem Towing of Arrow Boards) (Wanco recommends towing NO MORE than two Arrow Boards at a time)		\$215	N/A
Round Steel Full Wheel Fenders Bolted to the Trailer Frame		\$430	216281-P1
Combo-hitch for 2.5-inch Pintle Hook and 2-inch Ball Hitch (Replaces Standard 2" Ball Hitch)		\$235	103412-001
Lunette Ring for 2.5-inch Pintle Hitch (Replaces Standard 2" Ball Hitch)		\$130	101978-001
Four Corner Hand-crank Swivel Jacks		\$170	N/A
7 Pin Trailer Wiring Adapter (RV style)		\$80	106371
Electronics			
Wanco Asset Tracker with GPS (Includes 5 Years' Service)		\$735	N/A
Connected Controller Communications Package with Fleet Manager - Includes 2 Years of Service, \$4.99/month after the 2 Year Data Plan		\$1,090	N/A
Solar			
65-watt Solar Panel (Replaces Standard Solar, 18% Increase)		\$180	202484
85-watt Solar Panel (Replaces Standard Solar, 55% Increase)		\$340	205263
110-watt Solar Panel (Replaces Standard Solar, 100% Increase)		\$585	220817-C1
Battery			
2-amp Smart Battery Charger		\$100	215455
Additional 12V Sealed Lead Acid Battery (Three – 12VDC Batteries - 54 Ah Total Capacity)		\$130	206335
Custom Color			
Custom Color Scheme – Electrostatic Powder Coat, Approved Color Chip Required		\$1,020	N/A

All Prices are FOB Wanco Factory. Confidential Information.

Do not disclose to parties outside of your organization. Pricing effective 12/03/2022.

WANCO | 5870 Tennyson Street, Arvada, Colorado 80003 USA | 303-427-5700

www.wanco.com